



# AM2C<sup>®</sup>'s Mechanical Separators Specifications and Features



### Advanced Hopper Design

Processes up to 16 tons per hour for the highest productivity and throughput.

### Slow Speed Auger

Reduces mechanical action and temperature rise producing consistently textured product.

### Easy To Clean And Maintain

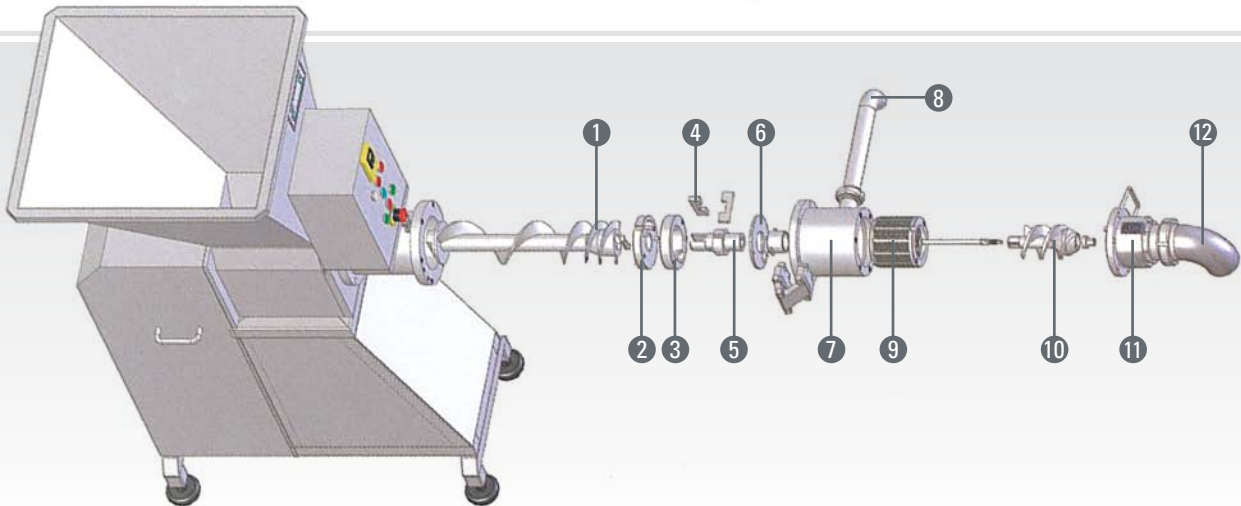
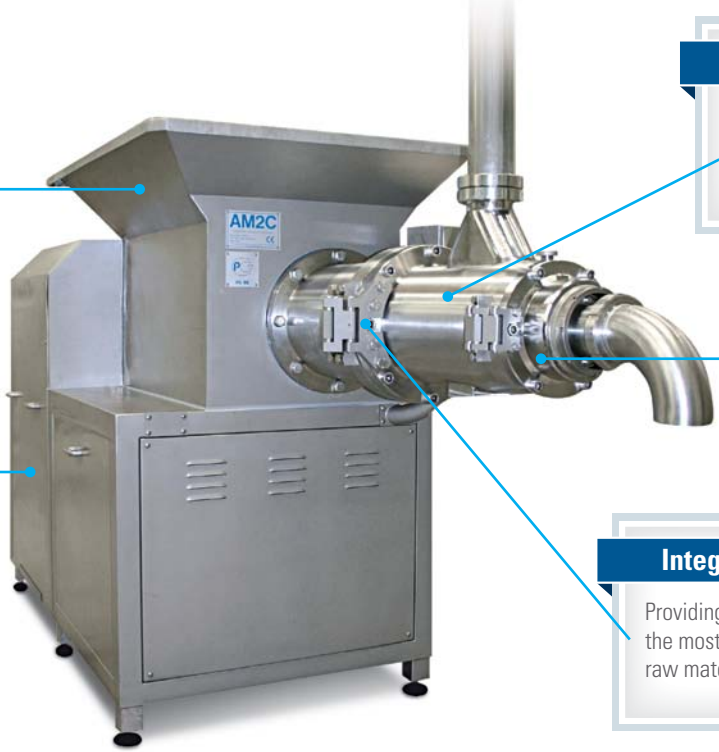
Rugged stainless steel design disassembles quickly for thorough and easy cleaning, resulting in low maintenance costs.

### Precise Yield Adjustment

Allows you to get the highest yield at the lowest cost of ownership.

### Integral Pre-Grinder

Providing versatility even for the most difficult applications/ raw materials.



- |                     |                       |
|---------------------|-----------------------|
| 1. Feed Screw       | 7. Screen Support     |
| 2. Inlet Plate      | 8. Meat Outlet        |
| 3. Inline Pump Body | 9. Slotted Screen     |
| 4. Vane             | 10. Separating Screw  |
| 5. Rotor            | 11. Adjustment System |
| 6. Outlet Plate     | 12. Residue Outlet    |

# The Industry's Most Complete Line-Up Of Mechanical Separators.

**AM2C®**



	SM 208	SM 210	SM 310	SM 620	SM 820	SM 1830	SM 2050	SM 3060	SM 4100	SM 5100
Chicken Input Capacity, lb/hr	400 - 700 lb/hr	700 - 1300 lb/hr	1300 - 2200 lb/hr	2200 - 3300 lb/hr	3300 - 5500 lb/hr	4400 - 6600 lb/hr	5500 - 8800 lb/hr	7700 - 13200 lb/hr	13000 - 22000 lb/hr	17600 - 33100 lb/hr
Turkey Input Capacity, lb/hr	—	—	1300 - 2200 lb/hr	2200 - 3300 lb/hr	3300 - 5500 lb/hr	4400 - 6600 lb/hr	5500 - 8800 lb/hr	7700 - 13200 lb/hr	13200 - 22000 lb/hr	17600 - 33100 lb/hr
Pork Input Capacity, lb/hr	—	—	700 - 900 lb/hr	900 - 1300 lb/hr	1300 - 1800 lb/hr	1800 - 2200 lb/hr	2200 - 3300 lb/hr	4400 - 6600 lb/hr	6600 - 11000 lb/hr	11000 - 17600 lb/hr
Fish Input Capacity, lb/hr	400 - 700 lb/hr	700 - 1300 lb/hr	1300 - 2200 lb/hr	2200 - 3300 lb/hr	3300 - 5500 lb/hr	4400 - 6600 lb/hr	5500 - 8800 lb/hr	7700 - 13200 lb/hr	13200 - 22000 lb/hr	17600 - 33100 lb/hr
Power, kW / HP / A	5.5 kW / 7 HP / 12 A	7.5 kW / 10HP / 15 A	11 kW / 15 HP / 21 A	15 kW / 20 HP / 29 A	18.5 kW / 25 HP / 35 A	22 kW / 30 HP / 42 A	37 kW / 50 HP / 68 A	45 kW / 60 HP / 87 A	75 kW / 100 HP / 143 A	75 kW / 100 HP / 143 A
Hopper Capacity, cubic feet	5 cu ft	5 cu ft	8 cu ft	8 cu ft	11 cu ft	14 cu ft	14 cu ft	18 cu ft	21 cu ft	25 cu ft
Soft Start	option	option	option	✓	✓	✓	✓	✓	✓	✓
Automatic Reverse For Pressure Control	—	—	✓	✓	✓	✓	✓	✓	✓	✓
Adjustable Yield Indicator	✓	✓	✓	✓	✓	✓	✓	✓	✓	✓
Hinges (easy opening)	✓	✓	✓	✓	✓	✓	✓	✓	✓	✓
Open Type Screen Support	option	option	option	option	option	option	option	option	option	option
Bridge Breaker	option	option	option	option	option	option	option	option	option	option
Dimensions (L x W x H), inches	63" x 31.8" x 67"	63" x 31.8" x 67"	84.2" x 37.8" x 70.9"	84.2" x 37.8" x 70.9"	84.2" x 37.8" x 70.9"	110.3" x 47.3" x 78.7"	110.3" x 47.3" x 78.7"	118.1" x 47.3" x 78.7"	145.7" x 51.6" x 86.6"	153.6" x 55.1" x 86.6"

USA Corporate – 9150 191st Street, Mokena, IL 60448 Tel: 708-479-3500 Fax: 708-479-3598 After hour service: 815-485-4400 info@provisur.com

AM2C®

BEEHIVE®

CASHIN®

FORMAX®

TST™

WEILER®

THE PROVISUR® FAMILY OF PROVEN BRANDS

**PROVISUR®**  
TECHNOLOGIES